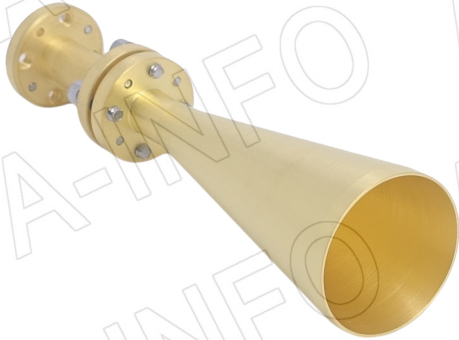


For reference only. See data sheet for the detailed specifications.

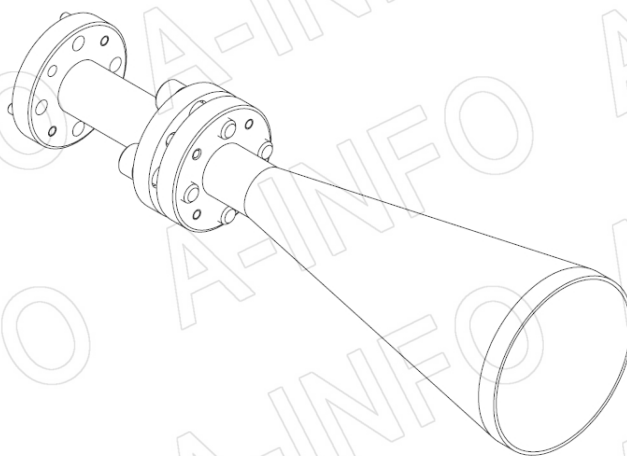
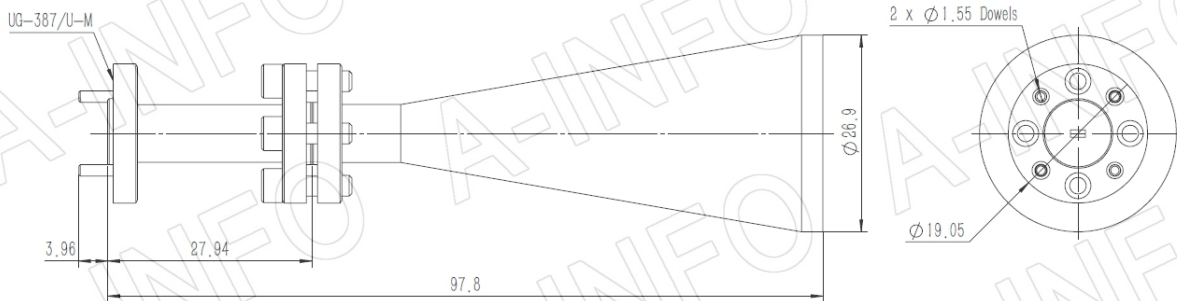
Technical Specification



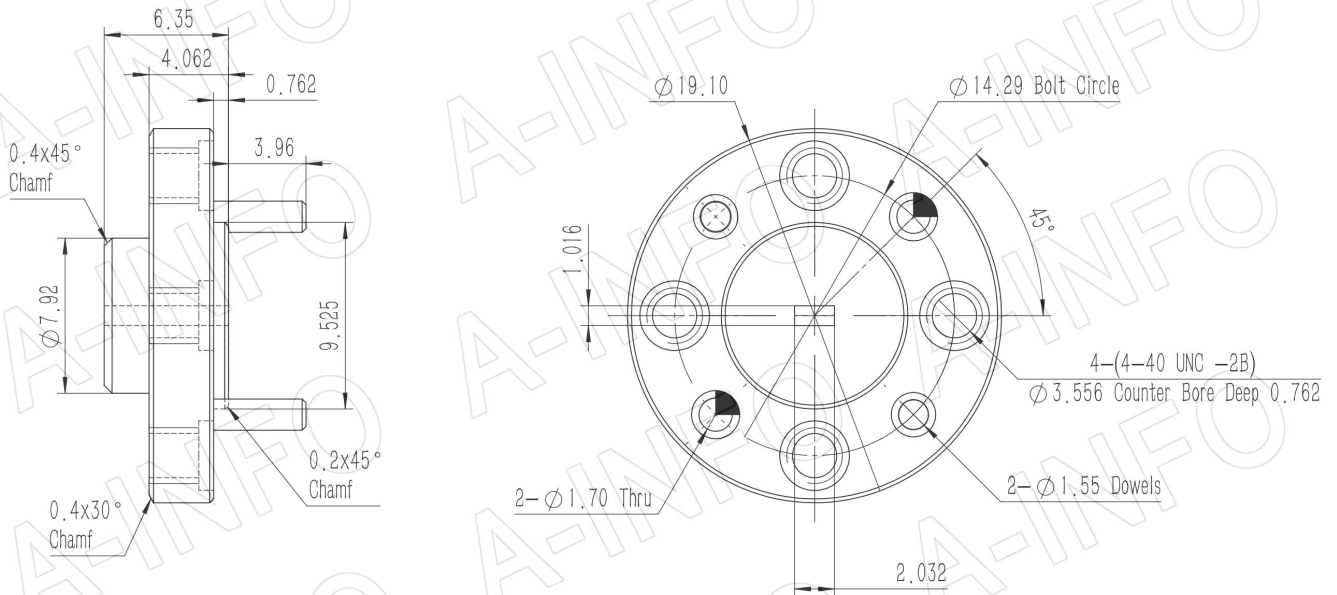
Frequency Range(GHz)	90.0 – 140.0
Waveguide	WR8
Gain(dBi)	25 Typ.
Polarization	Linear
3dB Beamwidth(deg)	E Plane: 7 Typ.
	H Plane: 8 Typ.
Cross Pol. Isolation(dB)	35 Typ.
VSWR	1.25:1 Max.
Output	UG-387/U-M
Material	Cu
Finish	Gold Plated
Size(mm)	26.9 x 26.9 x 97.8
Net Weight(Kg)	0.07 Around

Outline Drawing (Size: mm)

UG-387/U-M Output (P/N: LB-CNH-8-25-A)



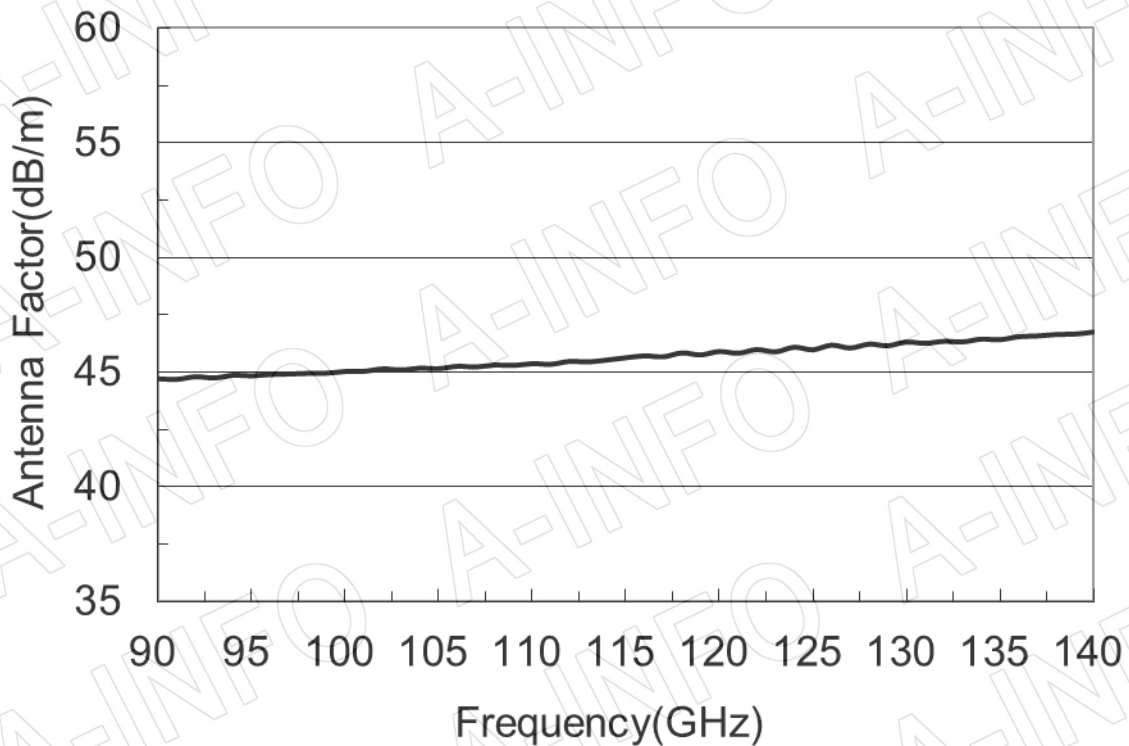
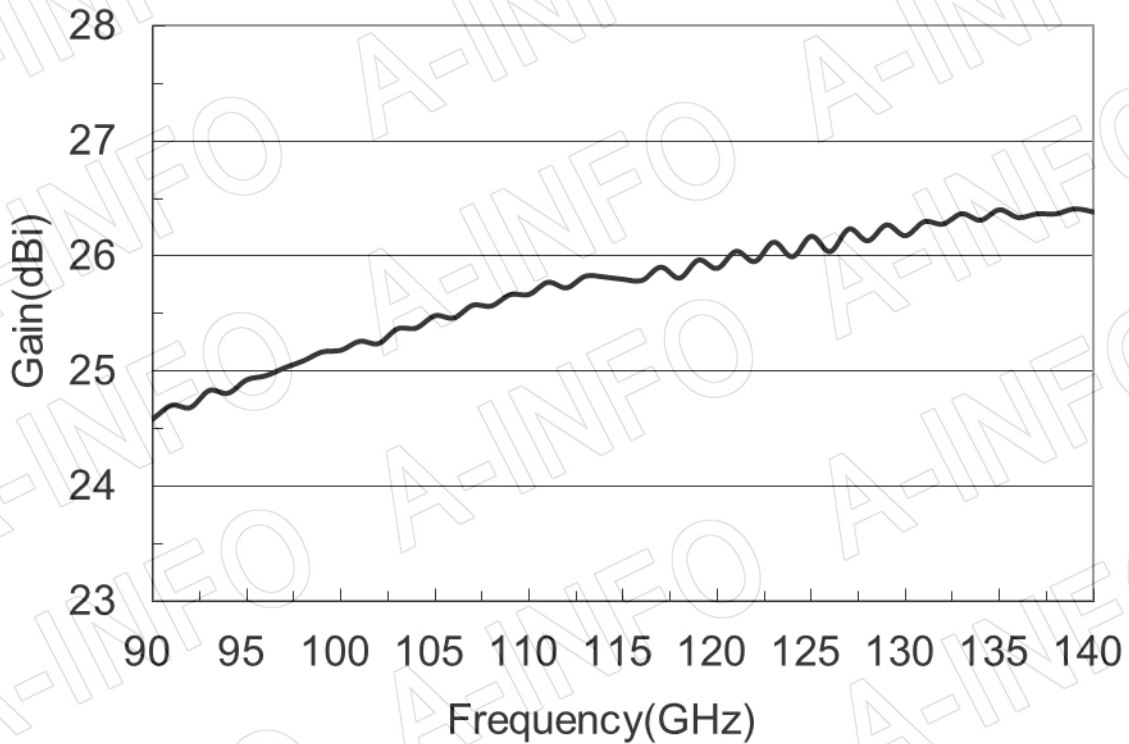
Flange Drawing (Size: mm)



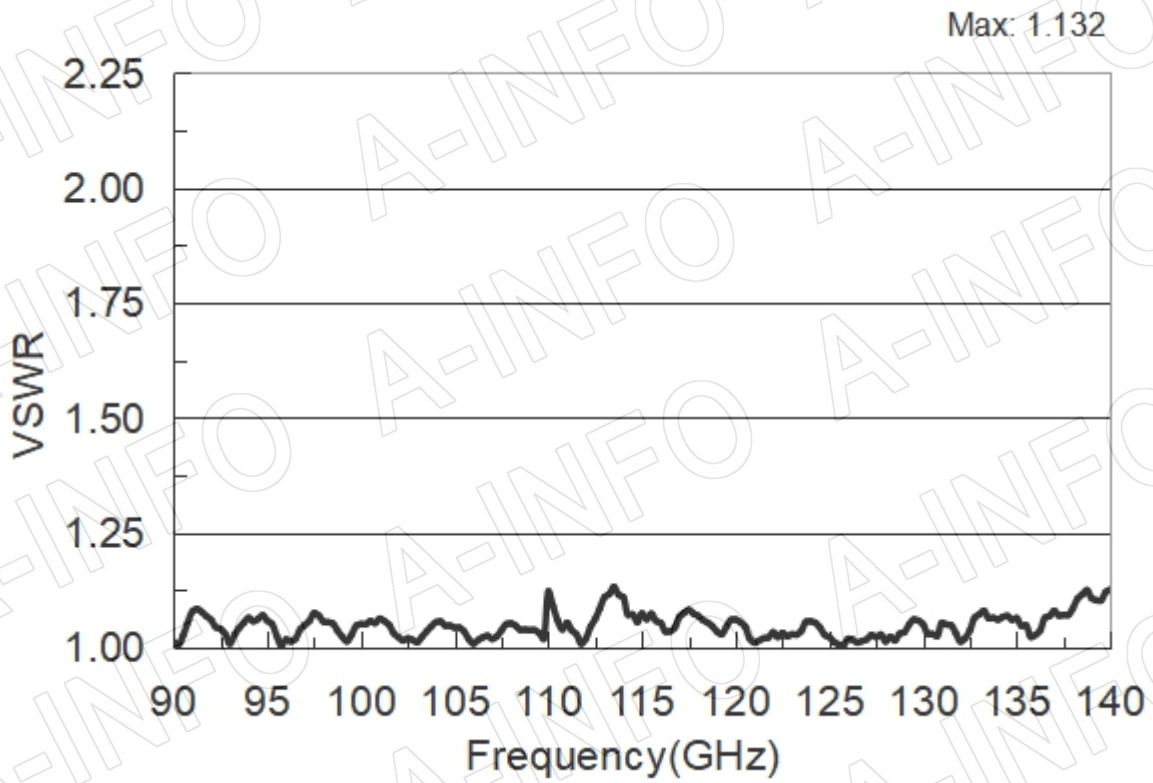
UG-387/U-M

Test Results

1. Gain & Antenna Factor



2. VSWR



3. Pattern

